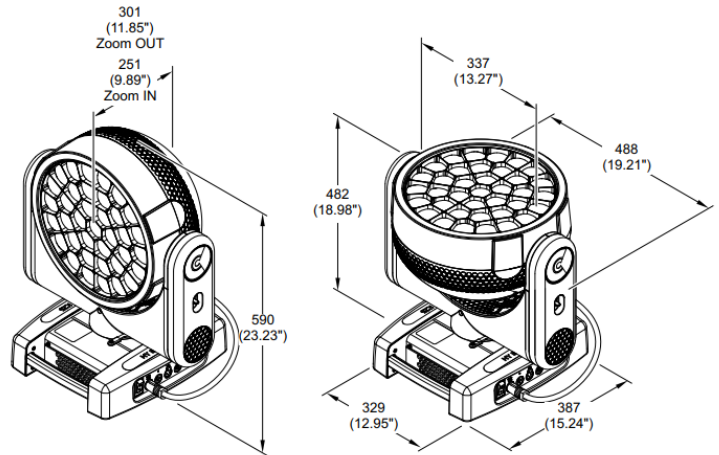


MODEL: HY B-EYE K25 / TEATRO

CODE: C61470 / CL3015

September 26, 2024



#### LIGHT SOURCE:

**Source type:** • RGBW LEDs

**Power:** • 40W (x37)

**Color temperature:** • 6000 K

**LED life expectancy:** • 50.000 Hrs L70\*

\* It may vary depending on various factors, such as the type of use and environment

#### PHOTOMETRIC DATA:

**Zoom range:** • 4 – 60°

**Lm output:** • 16.100 Lm (integrating sphere)

**Optical syt.:** • Patented 37 lens system

#### NOISE LEVEL:

**Fixture: HY B-Eye K25**

**Fixed presets:** • Auto mode standard: 46.5 dB  
• Auto mode quiet: 47.0 dB

**Fixture: HY B-Eye K25 - Teatro**

**Fixed presets:** • Auto mode super silent: 35.0 dB  
• Auto mode silent: 36.0 dB  
• Auto mode standard: 39.0 dB

#### CONTROL & CONNECTIONS:

**Personalities:**

- Basic engine: 21 / 22 / 35 / 36
- Pixel engine: 111 / 148

**Protocols:**

- DMX, Art-Net, sACN, RDM

**Connectors:**

- Locking 3 / 5 pin XLR IN/OUT
- RJ45 IN

**Power con.:**

- PowerCon True1 IN/OUT

**Web server:**

- Built-in

**CloudIO:**

- Fully compatible
- On-field calibration for color consistency

#### DYNAMIC EFFECTS:

**Colors:**

- Built-in macros with enhanced pixel control
- Preset colors
- Dedicated channel for color temperature setting
- White CT Emulation 2500-8000K
- RGBW auto-tuning to lamp CT Emulation
- Tungsten Lamp Emulation

**Rotating effect:**

- Bi-directional rotating front lenses

- Movement:**
- Tilt: 210°
  - Pan: 540°
  - Automatic repositioning
  - Mechanical Pan/Tilt lock for safe transportation and maintenance
- Beam:**
- Motorized zoom
- Dimmer / Shutter:**
- High resolution electronic dimmer - 24 bit, 4 curves
  - High speed electronic shutter and strobe:
    - Slow strobe: 1 flash/sec
    - Fast strobe: 25 flash/sec

#### HARDWARE & SOFTWARE:

- Long life self-charging battery
- Display graphic LCD backlit B/W display
- Firmware upload from another fixture
- Firmware upgrade via Web Server
- Diagnostic
- DMX monitoring
- Remote access through RDM

#### HOUSING:

- Aluminium and steel structure with plastic covers
- Two side handles for transportation
- IP20 protection rate
- Working in any position
- Hanging system: with fast-lock Omega clamps (1/4) turn on the base
- Optional safety chain

#### ELECTRICAL:

- Operating voltage:**
- 100-240V, 50/60 Hz
- Power Supply:**
- Electronic auto range with active PFC
- MAX power consumption:**
- 1250 VA @230 Vac – 50 Hz

#### THERMAL SPECIFICATION:

- MAX Ambient temperature:**
- 40°C (104°F)
- Min Ambient Temperature:**
- -20°C (-4°F)
- MAX temp. of the ext. surface:**
- 90°C (194°F)
- Total heat dissipation:**
- 5329 BTU/hr ±10% / 5616 kJ/hr ±10%

#### SAFETY SPECIFICATIONS:

- Min. dist. of illum. objs:**
- 0.2 m (8")
- Min. dist. from flamm. mat.:**
- 0.2 m (8")
- Protections:**
- Thermally protected power supply (overheating and cooling failure)
  - Forced ventilation with axial fans

#### COMPLIANCE:

##### CE Marking (in conformity to the following):

- 2014/35/EU – Safety of electrical equipment supplied at low voltage (LVD)
- 2014/30/EU – Electromagnetic compatibility (EMC)
- 2011/65/EU - Restriction of the use of certain hazardous substances (RoHS)
- 2009/125/EC - EcoDesign requirements for Energy-related Products (ErP)

##### UKCA conforms to UK regulations:

- S.I. 2016 N.1101
- S.I. 2016 N. 1091
- S.I. 2012 N.3032
- S.I. 2010 N.2617

##### cETLus LISTED:

- UL 1573:2003
- CSA C22.2 N.166:2015

#### PACKAGING:

- Carton box + Polystyrene
- Carton box + Foam shell
- Flight case + Foam shell (2 positions)

#### WEIGHT & SIZES:

- Weight:**
- 27.5 Kg (60.6 lbs)
- Base dim.s:**
- 329 x 387 mm
  - 12.95 x 15.24 In
- Height with horiz. head (h):**
- 590 mm
  - 23.23 In
- Dist. b/t 2 fixt:**
- 600 mm

#### ACCESSORIES:

- Omega bracket:**
- 2x183102-805 (Included)
- ETL Power:**
- CAB03D-802 (Included)\*
- \* Cord 1.5 m (bare end with IP65 PowerConTrue1 conn.)
- Flight case (4 pos):**
- CF1001F (Optional)
- Foam shell:**
- F21313-001 (Optional)
- Safety Chain:**
- 105041-003 (Optional)
- Clamp:**
- C21070 (Optional)