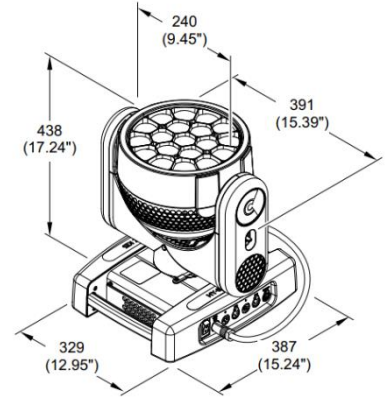
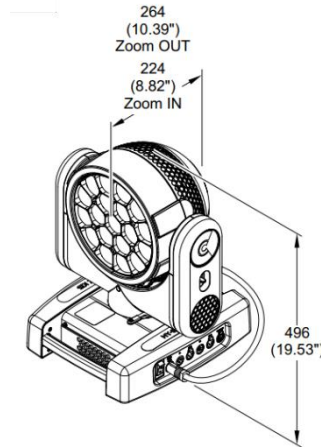


MODEL: HY B-EYE K15

CODE: C61480

September 19, 2024



LIGHT SOURCE:

Source type: • RGBW LEDs

Power: • 40W (x19)

Color temperature: • 6000 K

LED life expectancy: • 50.000 Hrs L70*

* It may vary depending on various factors, such as the type of use and environment

PHOTOMETRIC DATA:

Zoom range: • 4 – 60°

Lm output: • 13.500 Lm (integrating sphere)

Optical syt.: • Patented 19 lens system

NOISE LEVEL:

Fixed presets: • Auto mode standard: 47.5 dB
• Auto mode quiet: 44.0 dB

CONTROL & CONNECTIONS:

Personalities:

• Basic engine: 21 / 22 / 35 / 36

• Pixel engine: 57 / 76

Protocols:

• DMX, Art-Net, sACN, RDM

Connectors:

• Locking 3 / 5 pin XLR IN/OUT
• RJ45 IN

Power con.:

• PowerCon True1 IN/OUT

Web server:

• Built-in

CloudIO:

• Fully compatible
• On-field calibration for color consistency

DYNAMIC EFFECTS:

Colors:

- Built-in macros with enhanced pixel control
- Preset colors
- Dedicated channel for color temperature setting
- White CT Emulation 2500-8000K
- RGBW auto-tuning to lamp CT Emulation
- Tungsten Lamp Emulation

Rotating effect:

- Bi-directional rotating front lenses

- Movement:**
- Tilt: 200°
 - Pan: 540°
 - Automatic repositioning
 - Mechanical Pan/Tilt lock for safe transportation and maintenance
- Beam:**
- Motorized zoom
- Dimmer / Shutter:**
- High resolution electronic dimmer - 24 bit, 4 curves
 - High speed electronic shutter and strobe:
 - Slow strobe: 1 flash/sec
 - Fast strobe: 25 flash/sec

HARDWARE & SOFTWARE:

- Long life self-charging battery
- Display graphic LCD backlit B/W display
- Firmware upload from another fixture
- Firmware upgrade via Web Server
- Diagnostic
- DMX monitoring
- Remote access through RDM

HOUSING:

- Aluminium and steel structure with plastic covers
- Two side handles for transportation
- IP20 protection rate
- Working in any position
- Hanging system: with fast-lock Omega clamps (1/4) turn on the base
- Optional safety chain

ELECTRICAL:

- Operating voltage:**
- 100-240V, 50/60 Hz
- Power Supply:**
- Electronic auto range with active PFC
- MAX power consumption:**
- 700 VA @230 Vac – 50 Hz

THERMAL SPECIFICATION:

- MAX Ambient temperature:**
- 40°C (104°F)
- Min Ambient Temperature:**
- -20°C (-4°F)
- MAX temp. of the ext. surface:**
- 90°C (194°F)
- Total heat dissipation:**
- 2597 BTU/hr ±10% / 2736 kJ/hr ±10%

SAFETY SPECIFICATIONS:

- Min. dist. of illum. objs:**
- 0.2 m (8")
- Min. dist. from flamm. mat.:**
- 0.2 m (8")
- Protections:**
- Thermally protected power supply (overheating and cooling failure)
 - Forced ventilation with axial fans

COMPLIANCE:

CE Marking (in conformity to the following):

- 2014/35/EU – Safety of electrical equipment supplied at low voltage (LVD)
- 2014/30/EU – Electromagnetic compatibility (EMC)
- 2011/65/EU - Restriction of the use of certain hazardous substances (RoHS)
- 2009/125/EC - EcoDesign requirements for Energy-related Products (ErP)

UKCA conforms to UK regulations:

- S.I. 2016 N.1101
- S.I. 2016 N. 1091
- S.I. 2012 N.3032
- S.I. 2010 N.2617

cETLus LISTED:

- UL 1573:2003
- CSA C22.2 N.166:2015

PACKAGING:

- Carton box + Polystyrene
- Carton box + Foam shell
- Flight case + Foam shell (4 positions)

WEIGHT & SIZES:

- Weight:**
- 20.7 Kg (45.6 lbs)
- Base dim.s:**
- 329 x 387 mm
 - 12.95 x 15.24 In
- Height with horiz. head (h):**
- 496 mm
 - 19.53 In
- Dist. b/t 2 fixt:**
- 600 mm

ACCESSORIES:

- Omega bracket:**
- 2x183102-805 (Included)
- ETL Power:**
- CAB03D-802 (Included)*
- * Cord 1.5 m (bare end with IP65 PowerConTrue1 conn.)
- Flight case (4 pos):**
- CF1002F (Optional)
- Foam shell:**
- F21314-001 (Optional)
- Safety Chain:**
- 105041-003 (Optional)
- Clamp:**
- C21070 (Optional)