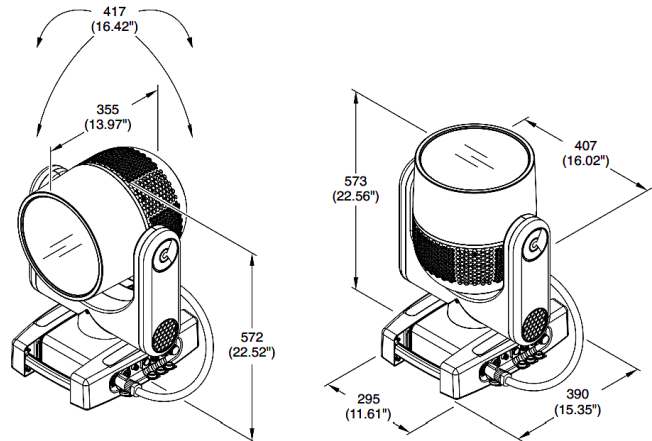


MODEL: HY B-EYE K15 AQUA

CODE: CL3030

March 29, 2024

DRAFT



LIGHT SOURCE:

- Source type:** • RGBW LEDs
- Power:** • 40W (x19)
- Color temperature:** • 2400 to 9500 K
- CRI:** • Up to 70
- LED life expectancy:** • 50.000 hrs L70*

* It may vary depending on various factors, such as the type of use and environment

PHOTOMETRIC DATA:

- Zoom range:** • 4 – 60°
- Lm output:** • 13500 Lm (integrating sphere)
- Optical syt.:** • Patented 19 lens system

NOISE LEVEL:

- Controlled by:** • Able to control linearly the speed of the fans
 - Fixed presets:**
 - 34,4 dBA – Silent Mode*
 - 37,8 dBA – Standard Mode*
 - 42,4 dBA – Full mode*
- * Background Noise 22,1 dBA

CONTROL & CONNECTIONS:

- Personalities:** • 5 modes with 22 / 36 / 33 / 57 / 76 control channels
- Protocols:** • DMX, Art-Net, sACN, RDM
- Connectors:**
 - Locking 5 pin XLR IN/THRU
 - RJ45 IN
- Power con.:** • PowerCon True1 IN/OUT
- Web server:** • Built-in
- CloudIO:**
 - Fully compatible
 - On-field calibration for color consistency

DYNAMIC EFFECTS:

- Colors:**
 - Built-in macros with enhanced pixel control
 - Preset colors
 - Dedicated channel for color temperature setting
 - White CT Emulation 2500-8000K
 - RGBW auto-tuning to lamp CT Emulation
 - Tungsten Lamp Emulation
- Rotating effects:** • Bi-directional rotating front lenses
- Movement:**
 - Tilt: 220° (16 bit)
 - Pan: 540° (16 bit)
 - Automatic repositioning
 - Mechanical Pan/Tilt lock for safe transportation and maintenance

- Beam:**
- Beam edge softening control (in wash mode)
- Dimmer / Shutter:**
- 0-100% linear electronic dimmer
 - Adjustable speed stop/strobe effect with instantaneous blackout
 - Slow strobe: 1 flash/sec
 - Fast strobe: 25 flash/sec
 - High resolution electronic dimmer – 24 bit, 4 curves

HARDWARE & SOFTWARE:

- Long life self-charging battery
- Display graphic LCD backlit B/W display
- Firmware upload from another fixture
- Firmware upgrade via Web Server
- Diagnostic
- DMX monitoring
- Remote access through RDM

HOUSING:

- Aluminium and steel structure with plastic covers
- Two side handles for transportation
- IP66 protection rate
- Working in any position
- Hanging system: with fast-lock Omega clamps (1/4) turn on the base
- Optional safety chain

ELECTRICAL:

- Operating voltage:**
- 100-120 / 200-240V, 50/60 Hz
- Power Supply:**
- Electronic auto range with active PFC
- MAX Power consumption:**
- 680W

THERMAL SPECIFICATION:

- MAX Ambient temperature:**
- 45°C (113°F)
- Min Ambient Temperature:**
- -20°C (-4°F)
- MAX temp. of the ext. surface:**
- 90°C (194°F)
- Total heat dissipation:**
- 2596 BTU/hr ±10% / 2736 kJ/hr ±10%

SAFETY SPECIFICATIONS:

- Min. dist. of illum. objs:**
- 0,2 m (8")
- Min. dist. from flamm. mat.:**
- 0,2 m (8")
- Protections:**
- Thermally protected power supply (overheating and cooling failure)
 - 5x20 delayed fuse
 - Forced ventilation with axial fans

COMPLIANCE:

CE Marking (in conformity to the following):

- 2014/53/EU - Radio Equipment Directive (RED)
- 2011/65/EU - Restriction of the use of certain hazardous substances (RoHS)
- 2009/125/EC - EcoDesign requirements for Energy-related Products (ErP)

UKCA conforms to UK regulations:

- S.I. 2017 N.1206
- S.I. 2012 N.3032
- S.I. 2021 N.745

cMETus LISTED:

- UL1573
- CSA C22.2 N. 166:15

PACKAGING:

- Carton box + polystyrene
- Carton box + foam shell
- Flight case + foam shell (4 positions)

WEIGHT & SIZES:

- Weight:**
- 27,8 Kg
 - 61,3 lbs
- Base dim.s:**
- 407 x 390 mm
 - 16,02 x 15,35 in
- Height with vert. head (h):**
- 573 mm
 - 22,56 in
- Dist. b/t 2 fixt:**
- 600 mm

ACCESSORIES:

- Omega bracket:**
- 2x183102/805 (Included)
- ETL Power:**
- CAB02B-802 (Included)*
- * Cord 1.5 m (bare end with IP65 PowerCon True1 conn.)
- Flight case (4 pos):**
- CF1026 (Optional)
- Flight case (4 pos) + Foam shell:**
- CF1026F (Optional)
- Safety Chain:**
- 105041-001 (Optional)
- Clamp:**
- C21070 (Optional)